



15F4057

Rx-ERJ 170-195 Towbar



Building Quality Ground Support Products Since 1961

- Certified by Embraer
- Main frame constructed of structural tubing
- 4" cushioned swivel lunette towing eye
- Fully retractable hydraulic undercarriage for adjustable height
- Towbar is shear bolt designed to protect aircraft nosegear
- Skid plate behind towing eye keeps towing eye from striking ground
- Safety lock system to avoid separation from aircraft
- Solid tires
- Durable powder coat finish

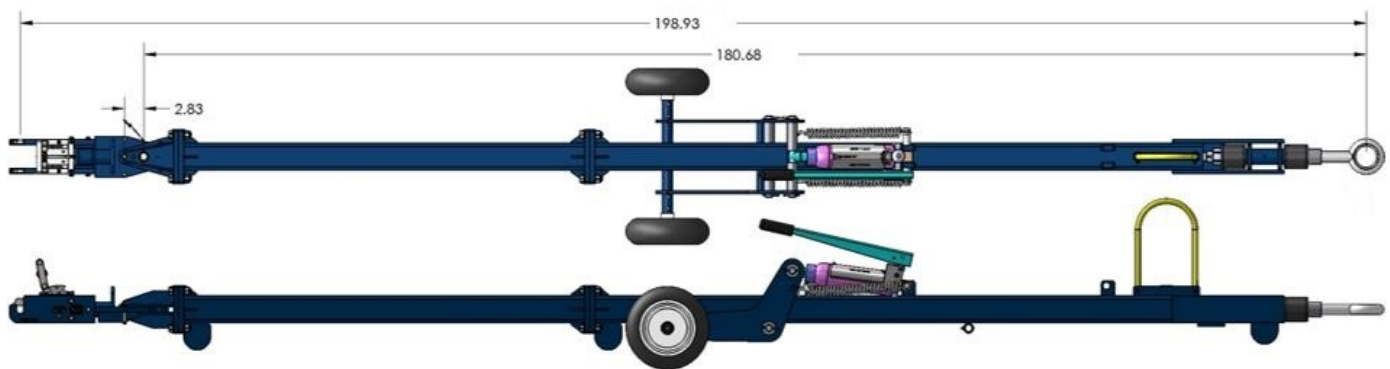
CLYDE

Clyde Machines
P.O. Box 194
1150 Hwy 55 N.
Glenwood, MN 56334 USA
(320) 634-4504
(320) 634-4506 Fax

www.clydemachines.com

15F4057

Rx-ERJ 170-195 Towbar



Shipping Information

- Shipping Dimensions:
 - Weight — 432 lbs.
 - Length — 204"
 - Width — 24"
 - Height — 20"
- Crated Dimensions:
 - Weight — 658 lbs.
 - Length — 120"
 - Width — 28"
 - Height — 28"

CLYDE

Clyde Machines
P.O. Box 194
1150 Hwy 55 N.
Glenwood, MN 56334 USA
(320) 634-4504
(320) 634-4506 Fax

www.clydemachines.com