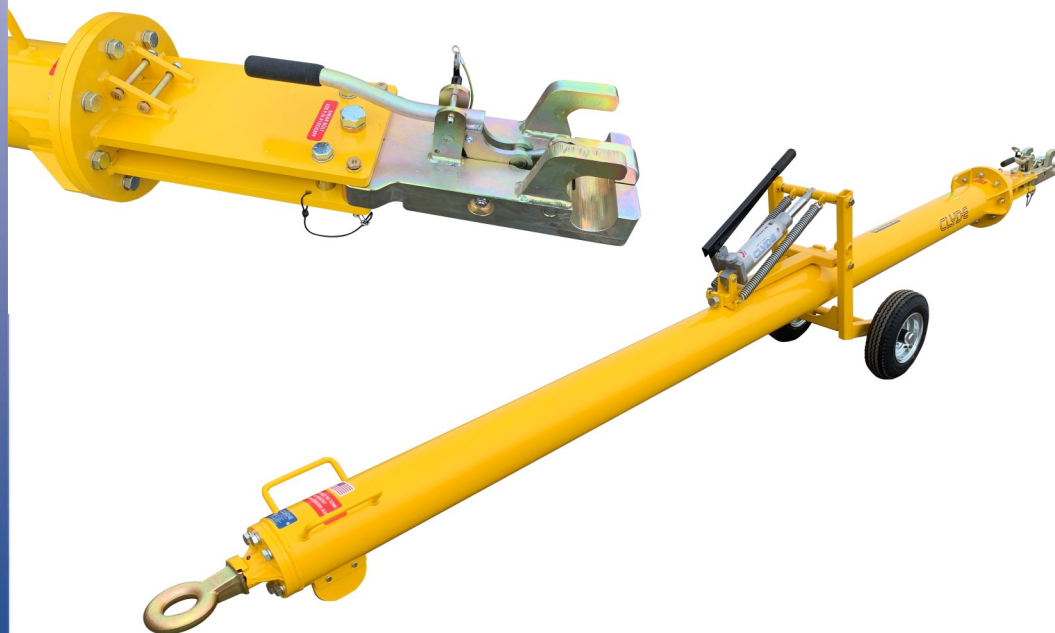




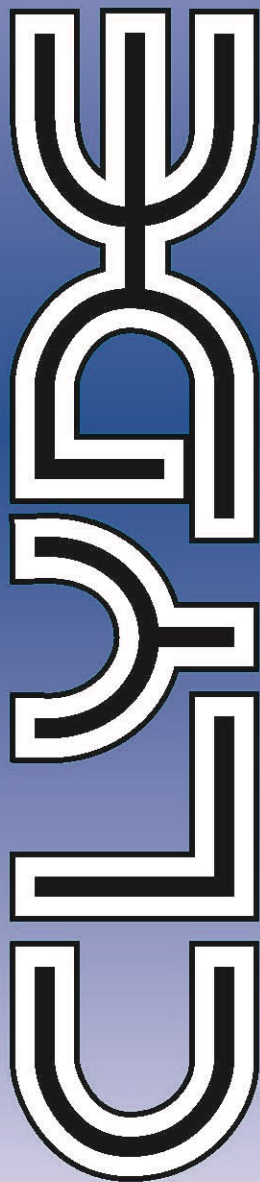
15F3750

# Wide Body Towbar



## Building Quality Ground Support Products Since 1961

- 8" OD x 15' High strength steel tube
- Fully retractable hydraulic running gear for adjustable height
- Safety lock system to avoid separation from aircraft
- Durable powder coat paint
- Quality shear bolts for aircraft protection
- Extra set of shear bolts included
- Solid tires
- Options:
  - Pneumatic tires
  - Cushioned lunette assembly
- Model Fits:
  - DC10
  - B767
  - L1011
  - A340 200/300
  - MD11
  - A330
  - A350



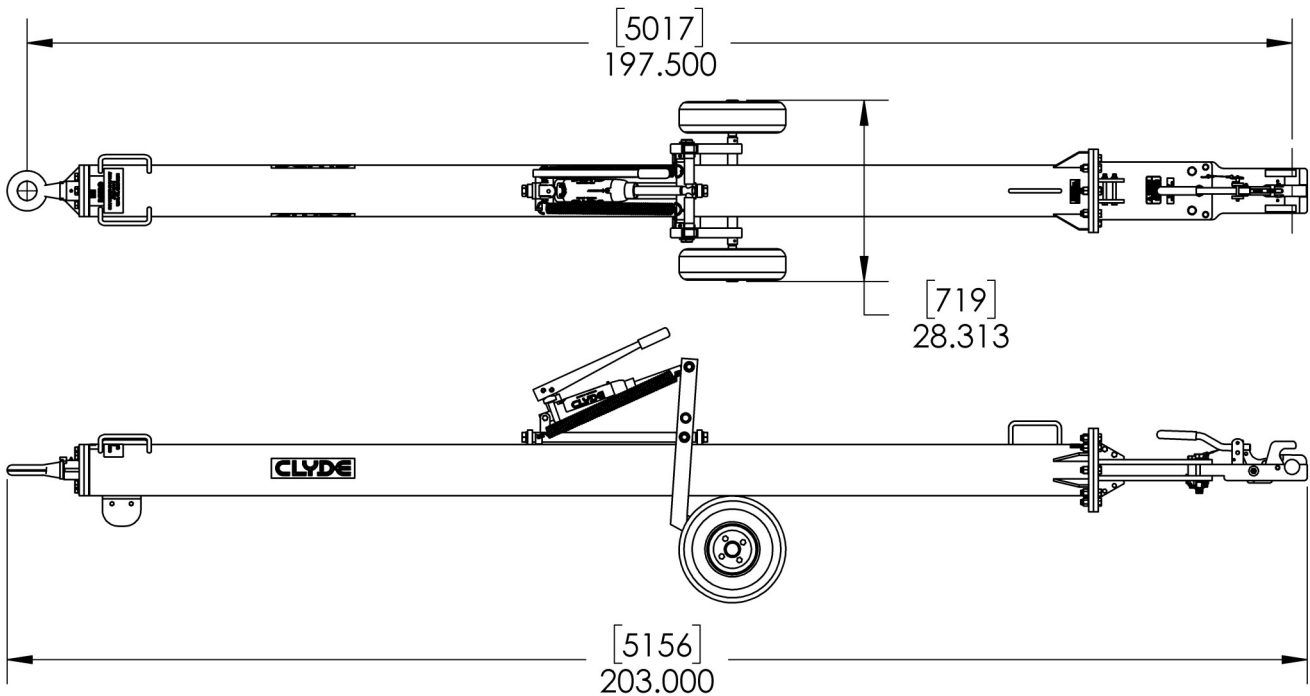
# CLYDE

Clyde Machines  
P.O. Box 194  
1150 Hwy 55 N.  
Glenwood, MN 56334 USA  
(320) 634-4504  
(320) 634-4506 Fax

[www.clydemachines.com](http://www.clydemachines.com)

# 15F3750

## Wide Body Towbar



### Shipping Information

- Shipping Dimensions:
  - Weight — 750 lbs.
  - Length — 203"
  - Width — 29"
  - Height — 25"
- Crated Dimensions:
  - Weight — 1135 lbs.
  - Length — 208"
  - Width — 26"
  - Height — 36"

# CLYDE

Clyde Machines  
P.O. Box 194  
1150 Hwy 55 N.  
Glenwood, MN 56334 USA  
(320) 634-4504  
(320) 634-4506 Fax

[www.clydemachines.com](http://www.clydemachines.com)