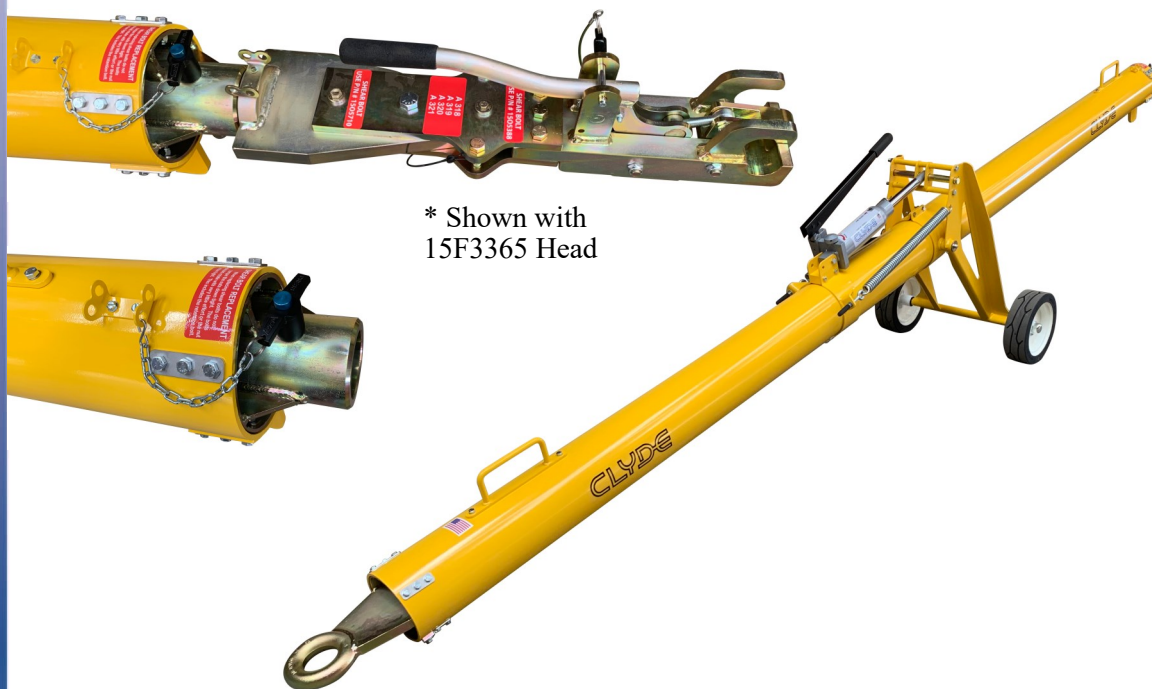




15F2515

Quick Change Towbar



* Shown with
15F3365 Head

Building Quality Ground Support Products Since 1961

- Quick change multi-head, narrow body Towbar
- PN 15F2515 is the body only, see page 2 for head options
- 8" x 15' high strength aluminum tube
- Fully retractable hydraulic running gear for adjustable height
- Safety lock system to avoid separation from aircraft
- Durable powder coat paint
- Quality shear bolts for aircraft protection
- Extra set of shear bolts included
- Solid tires
- Options:
 - Foam filled tires
 - Pneumatic tires
 - Cushioned lunette assembly
 - Spliced tube for easy transport

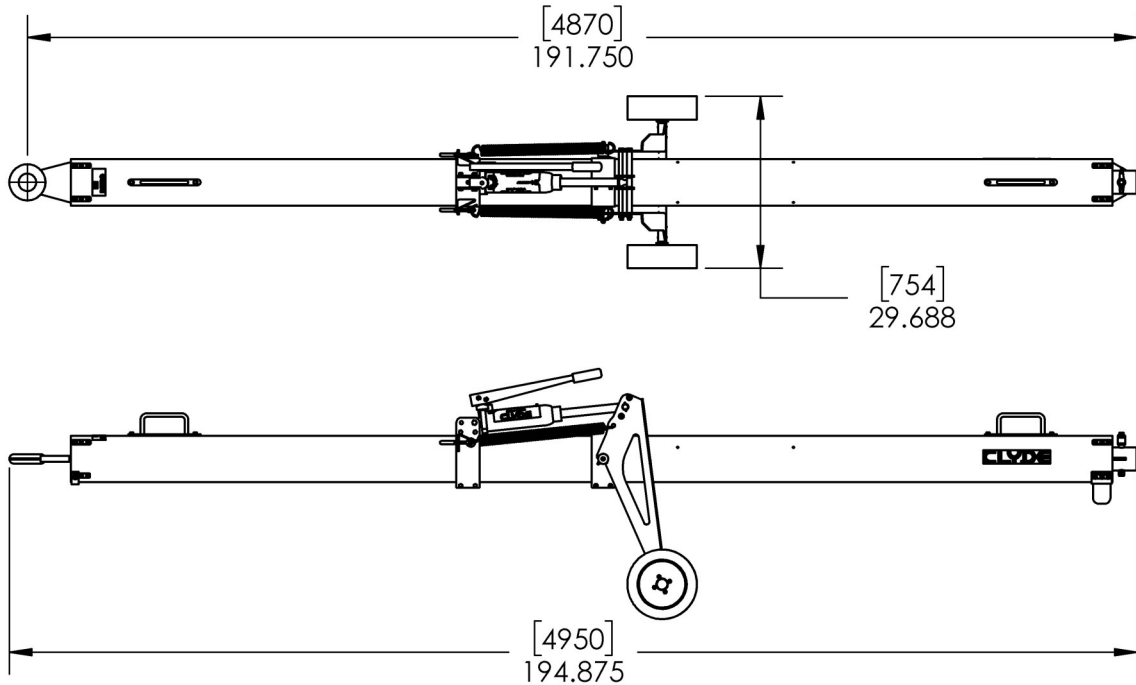
CLYDE

Clyde Machines
P.O. Box 194
1150 Hwy 55 N.
Glenwood, MN 56334 USA
(320) 634-4504
(320) 634-4506 Fax

www.clydemachines.com

15F2515

Quick Change Towbar



- Head options:
 - 15F2539 B727 clamp type
 - 15F2518 A300/310, B727
 - 15F3966 B737 100-900
 - 15F3364 B737 600-900 + Max + NG
 - 15F3365 A318-A321 NEO
 - 15F4048 B757
 - 15F2549 Fokker 70/100
 - 15F3736 A220 100/300

Shipping Information

- Shipping Dimensions:
 - Weight — 350 lbs.
 - Length (no head) — 195"
 - Width — 30"
 - Height — 25"
- Crated Dimensions:
 - Weight — 770 lbs.
 - Length — 217"
 - Width — 26"
 - Height — 28"
 - 60 lbs. per extra head

CLYDE

Clyde Machines
P.O. Box 194
1150 Hwy 55 N.
Glenwood, MN 56334 USA
(320) 634-4504
(320) 634-4506 Fax

www.clydemachines.com