



15F3875

Access Stand



Building Quality Ground Support Products Since 1961

- OSHA compliant
- 43.75" high to the top step
- D-Bumper protection on front of platform
- Swivel casters with brakes
- Separate floor locks
- Durable powder coat finish

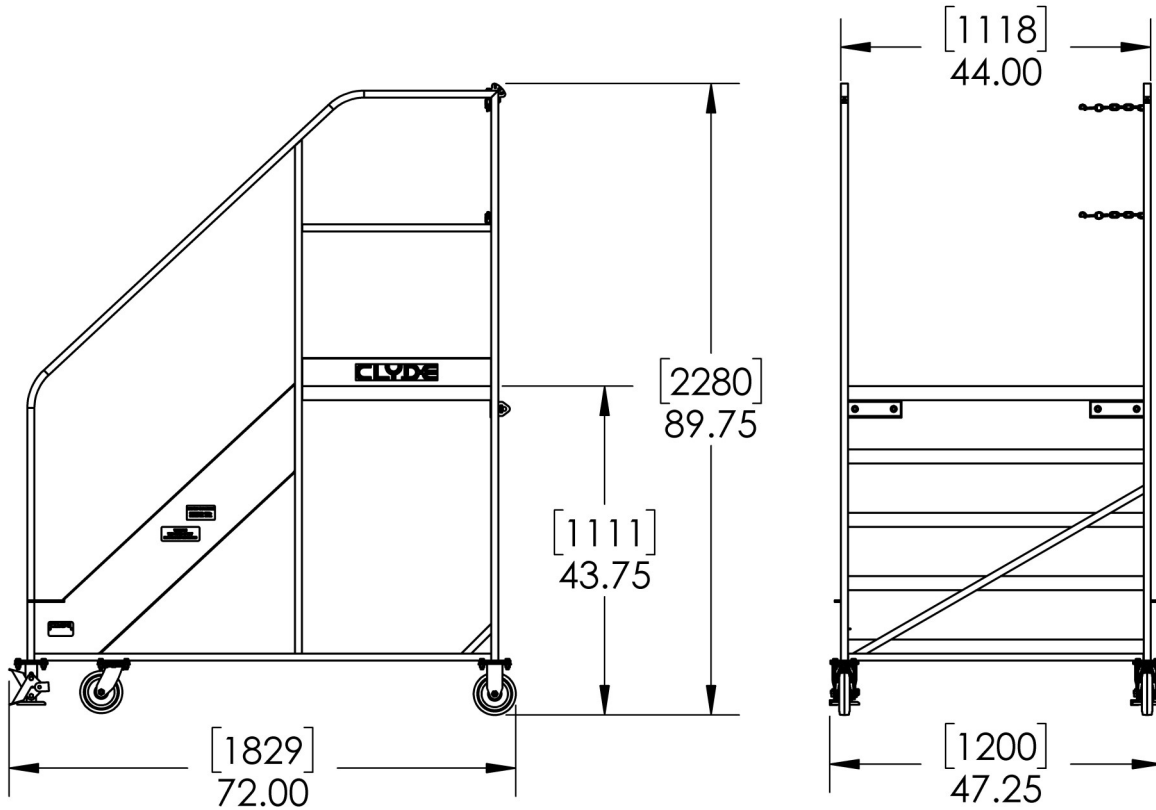
CLYDE

Clyde Machines
P.O. Box 194
1150 Hwy 55 N.
Glenwood, MN 56334 USA
(320) 634-4504
(320) 634-4506 Fax

www.clydemachines.com

15F3875

Access Stand



Shipping Information

- Dimensions:
 - Weight - 275 lbs.
 - Length - 72"
 - Width - 47.25"
 - Height - 89.75"

CLYDE

Clyde Machines
P.O. Box 194
1150 Hwy 55 N.
Glenwood, MN 56334 USA
(320) 634-4504
(320) 634-4506 Fax

www.clydemachines.com